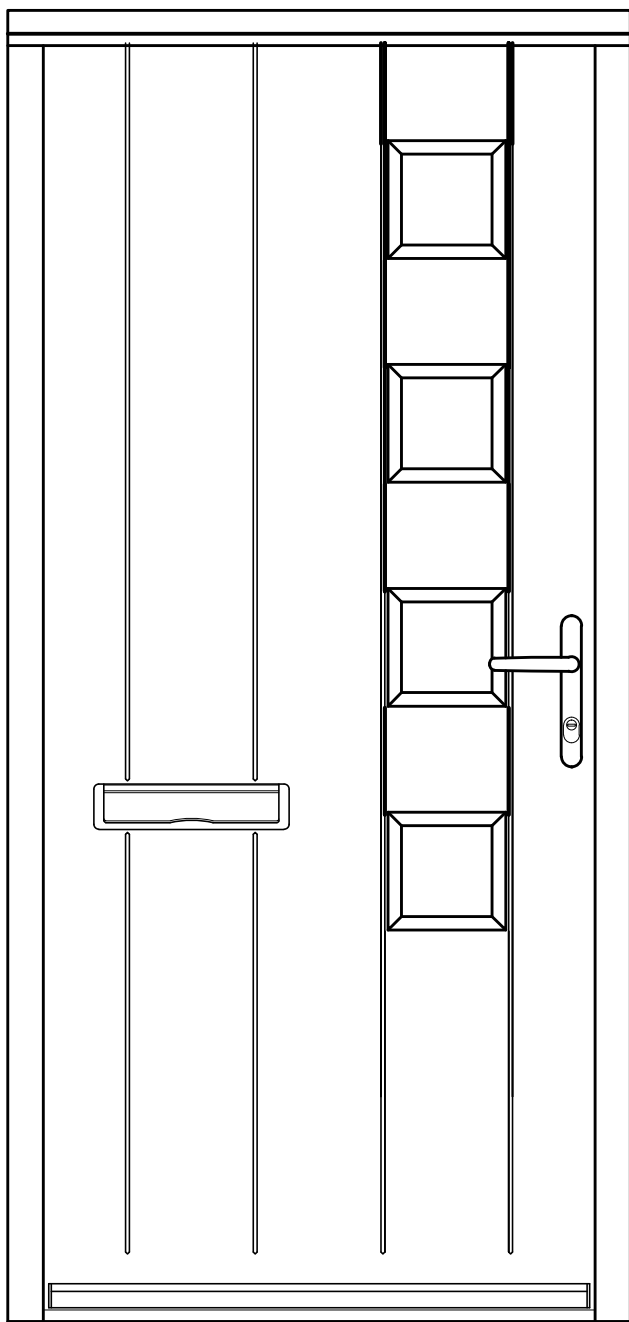
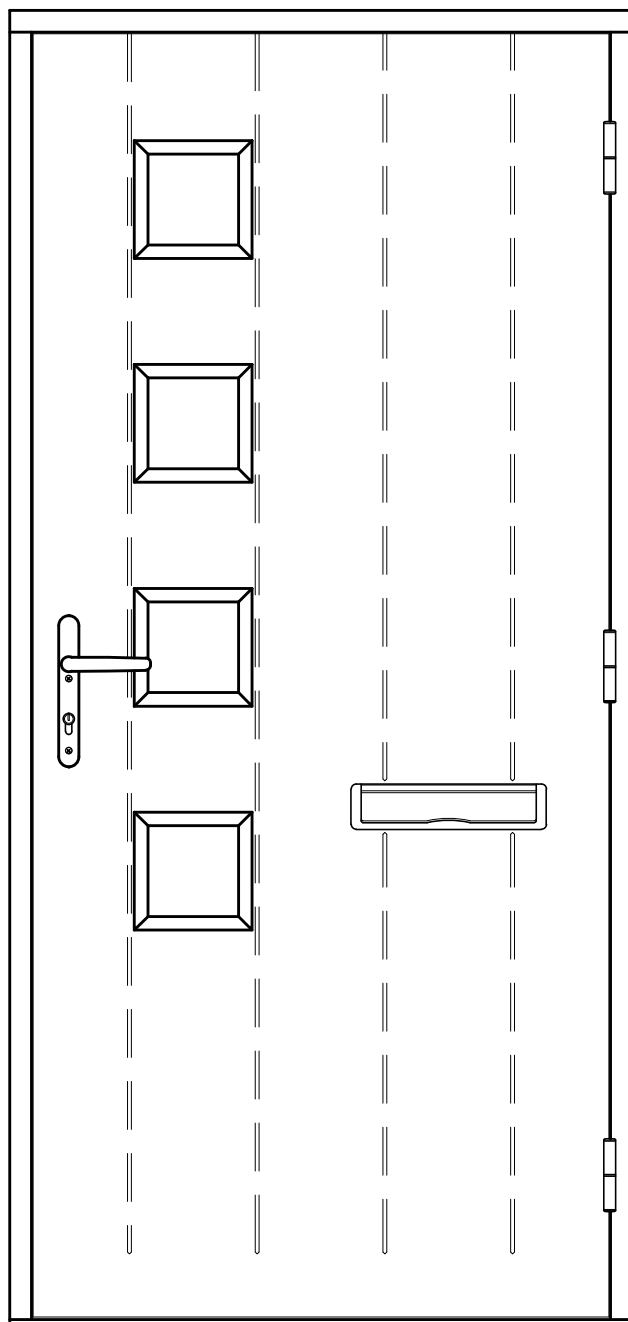


DESIGN:
BLP007 LOMOND S4

view from outside

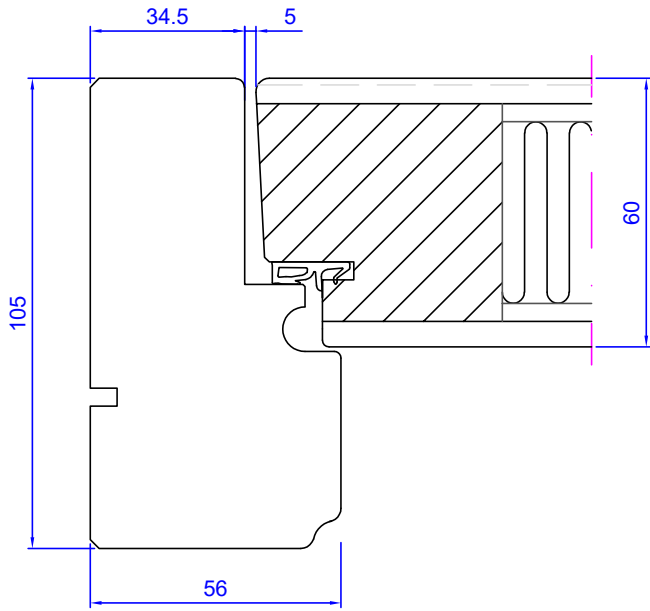


view from inside



Grooves on the surface of the door blank marked with broken line should be treated as the option inside

Horizontal cross section



Vertical cross section

